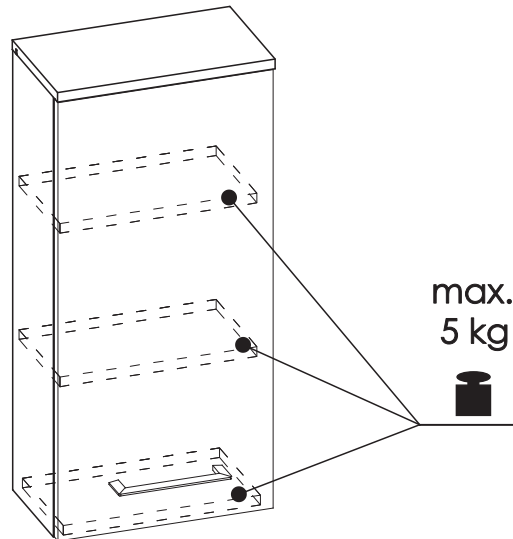
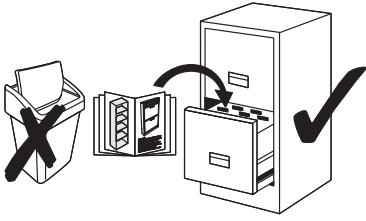
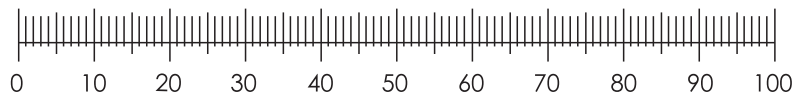
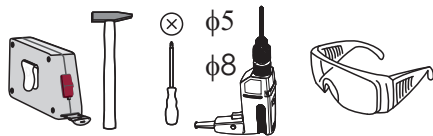
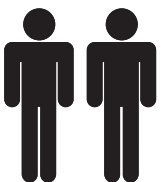
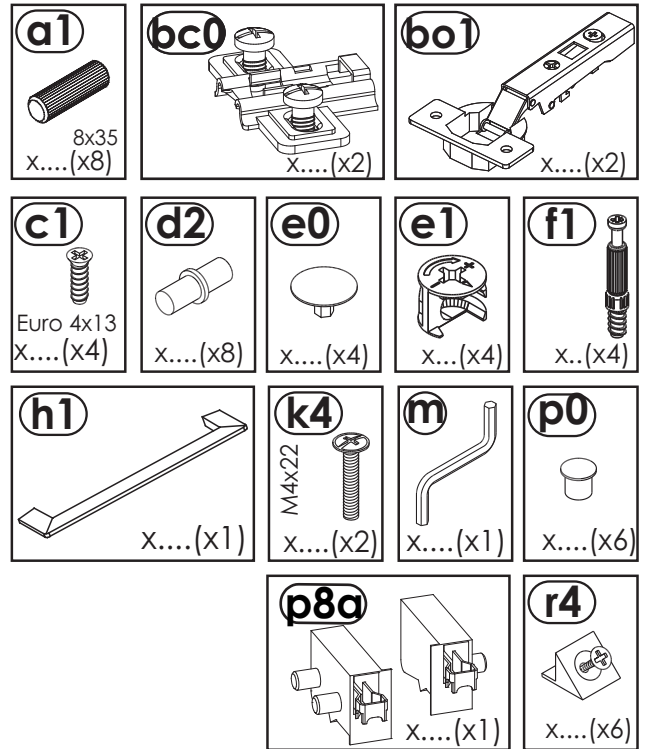
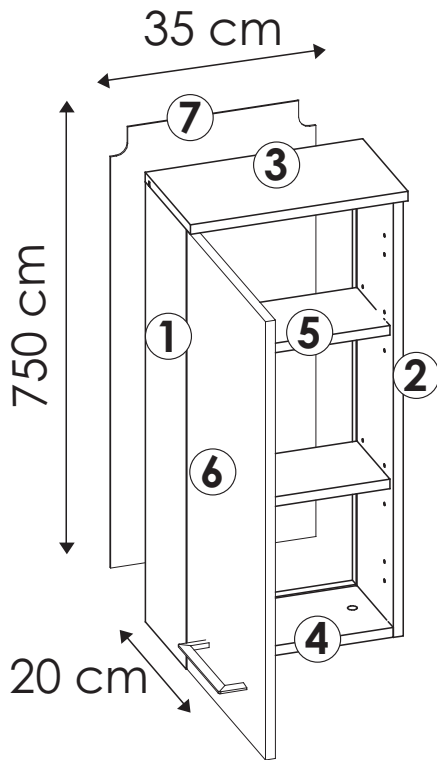
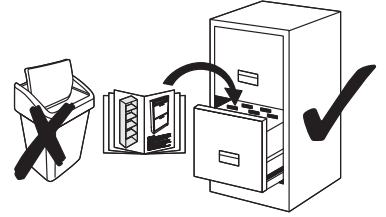


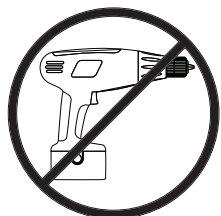
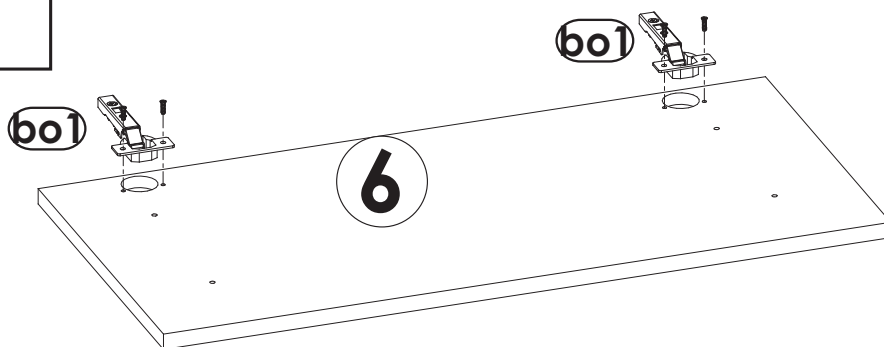
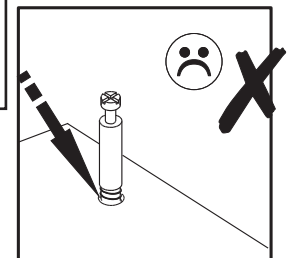
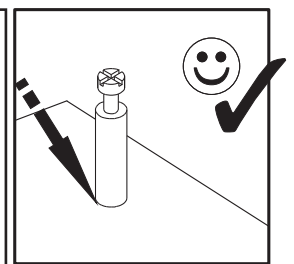
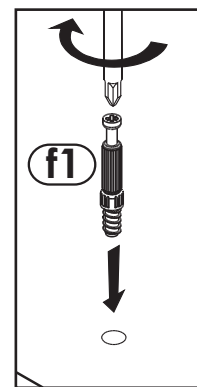
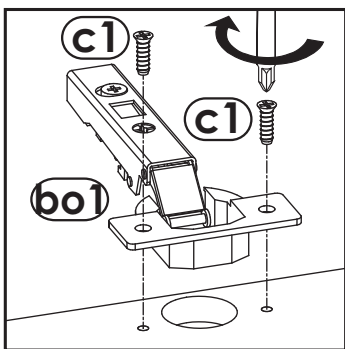
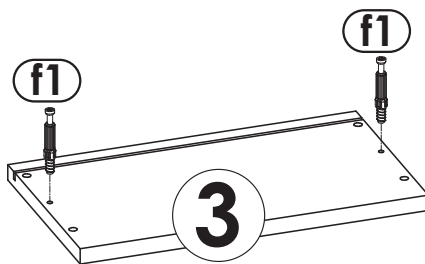
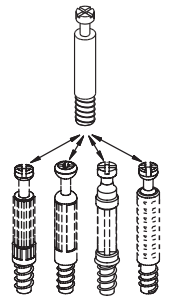
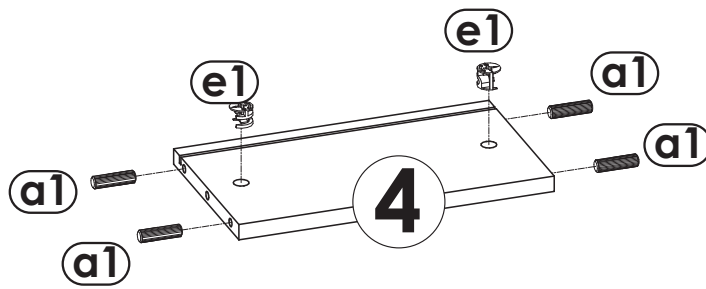
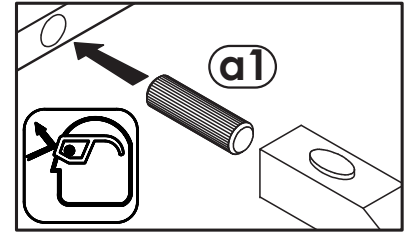
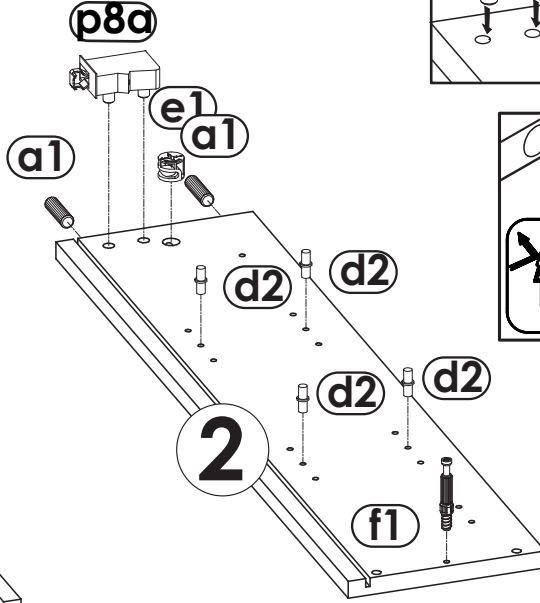
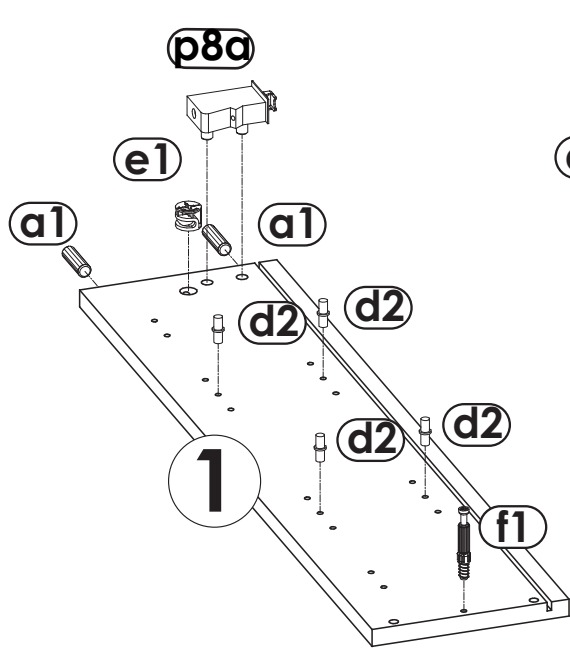
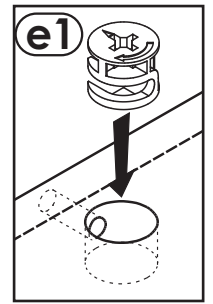
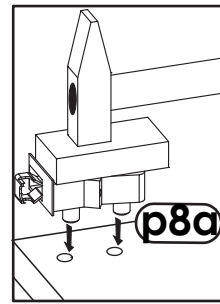
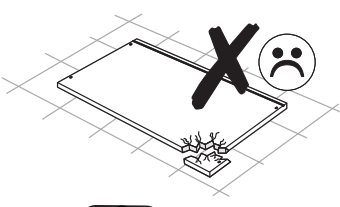
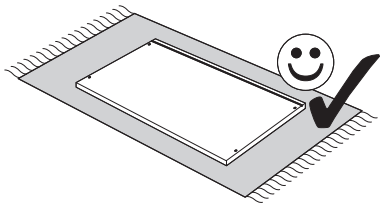
COSMO 1D



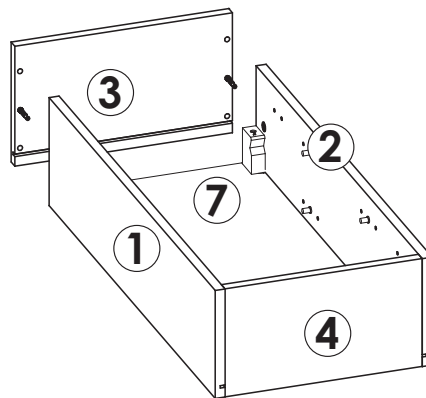
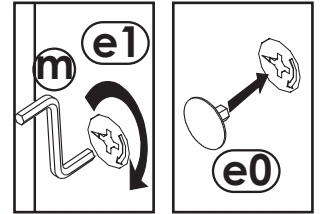
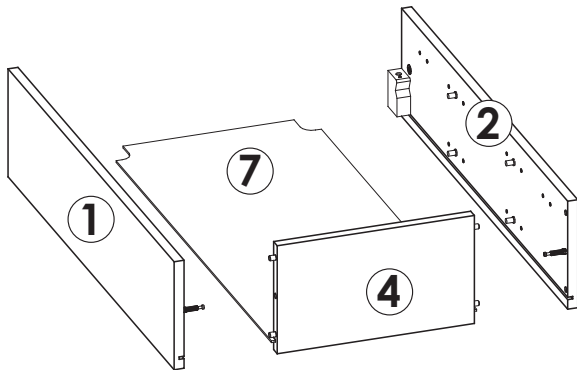
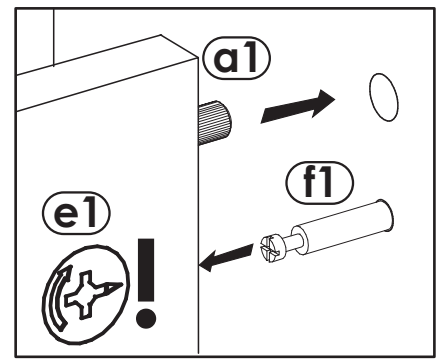
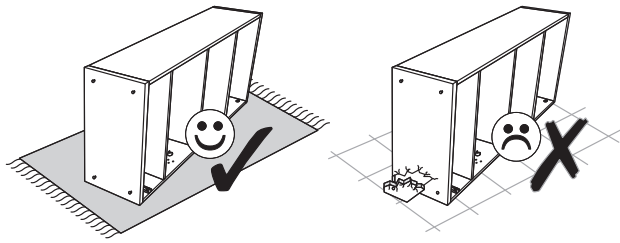
COSMO 1D



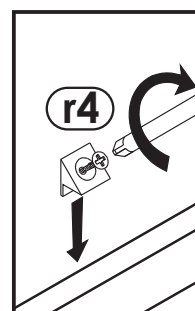
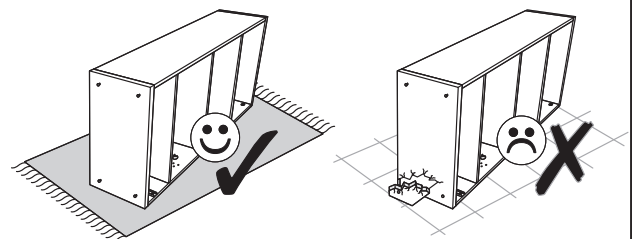
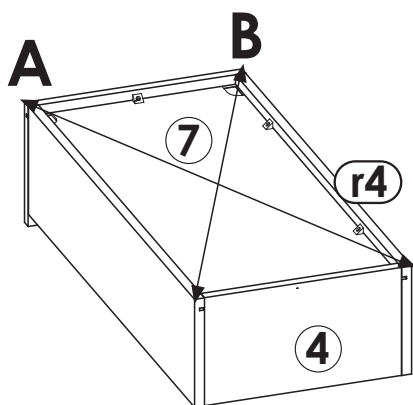
1



2

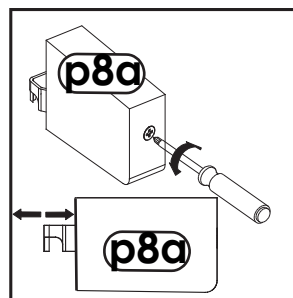
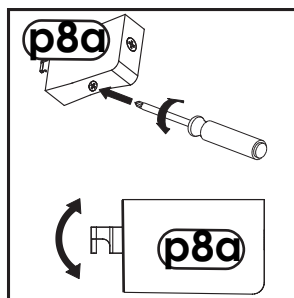
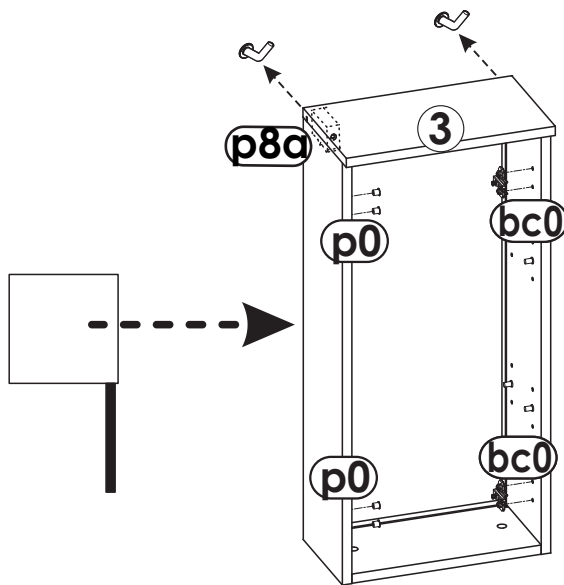
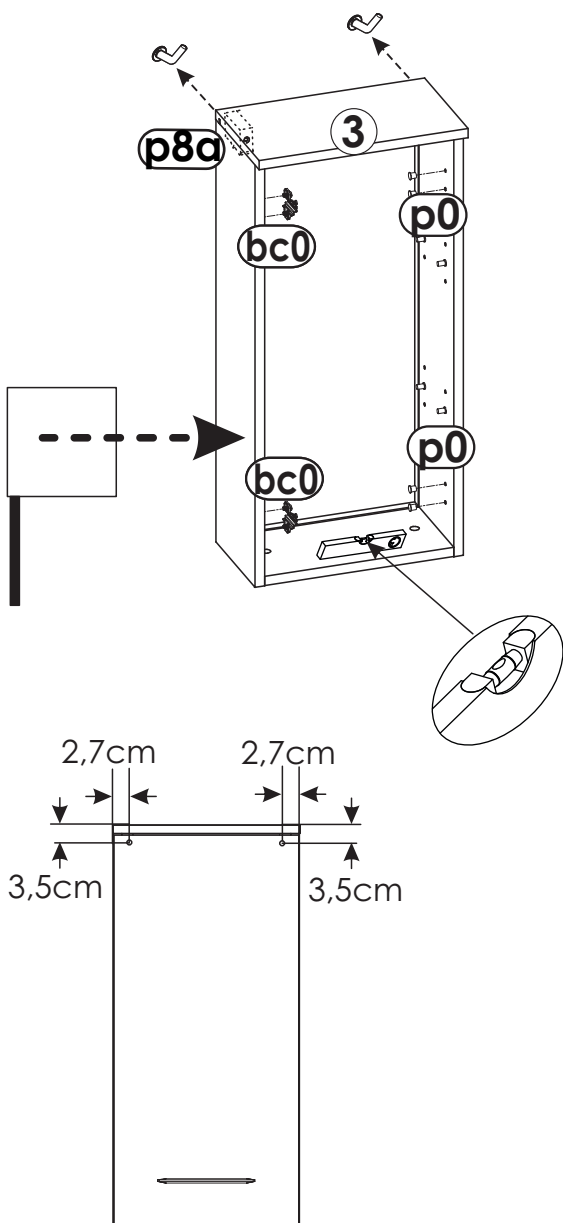
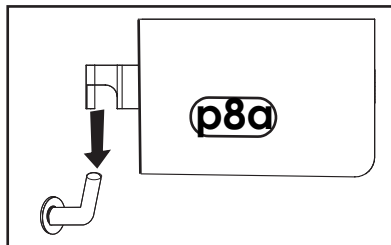
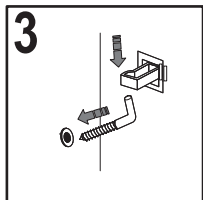
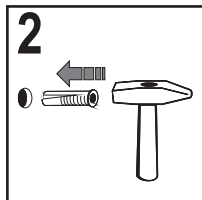
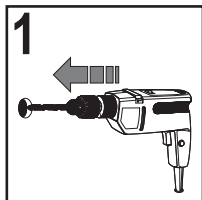


3



A=B

4



5

