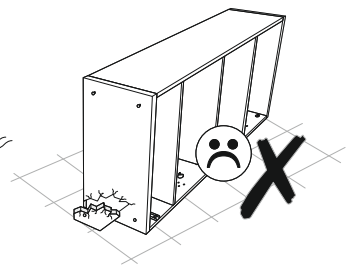
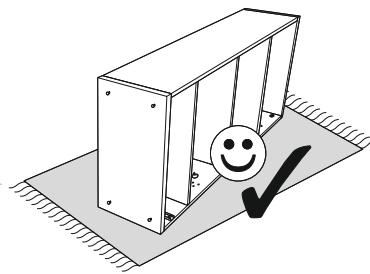
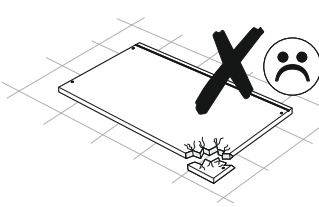
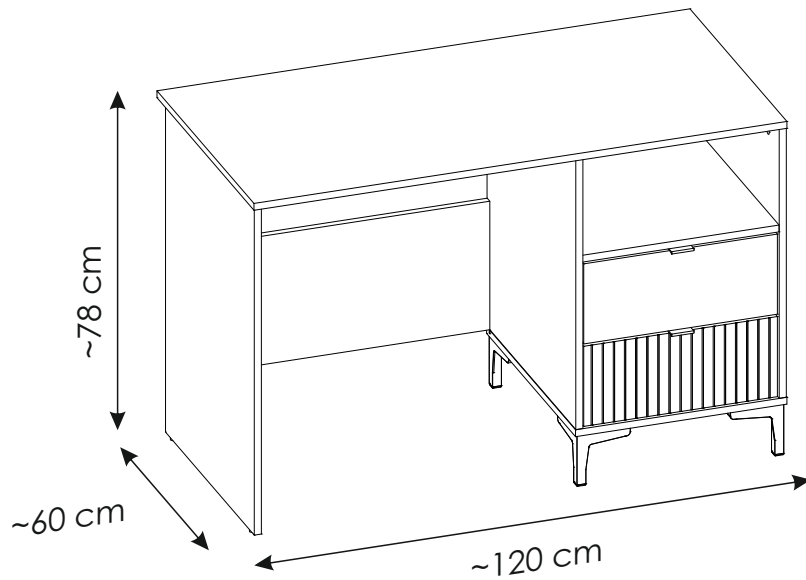
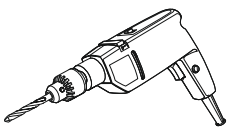
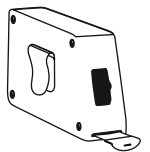
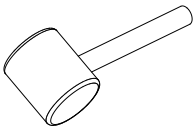
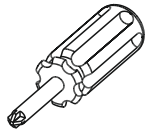
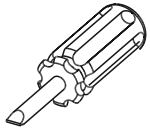
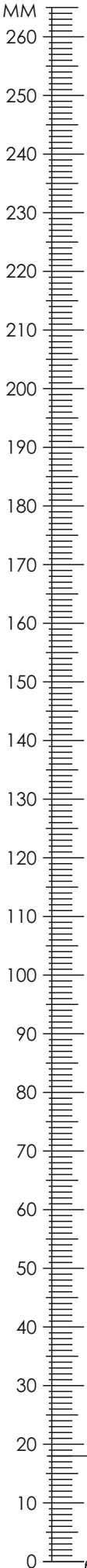



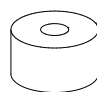
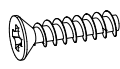
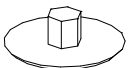

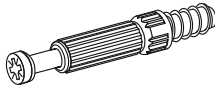
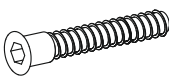
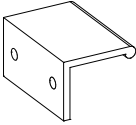
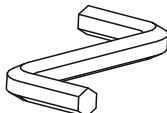
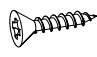
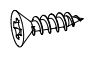
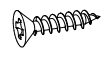

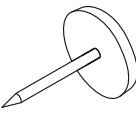
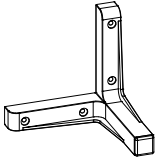
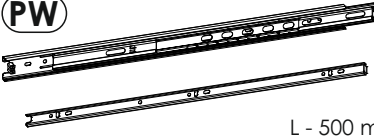
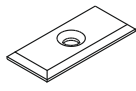
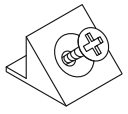
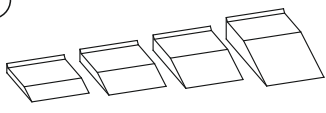
RIKB01





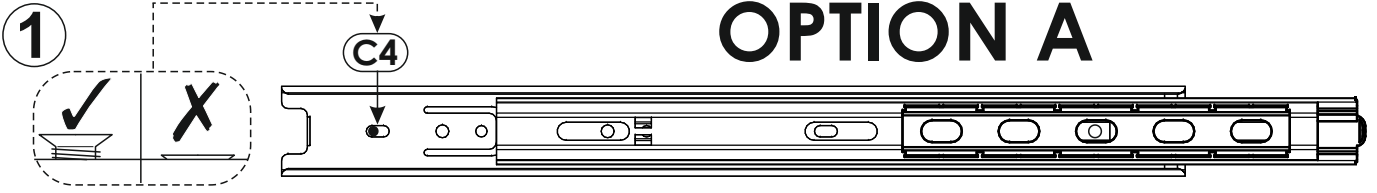
RIKB01



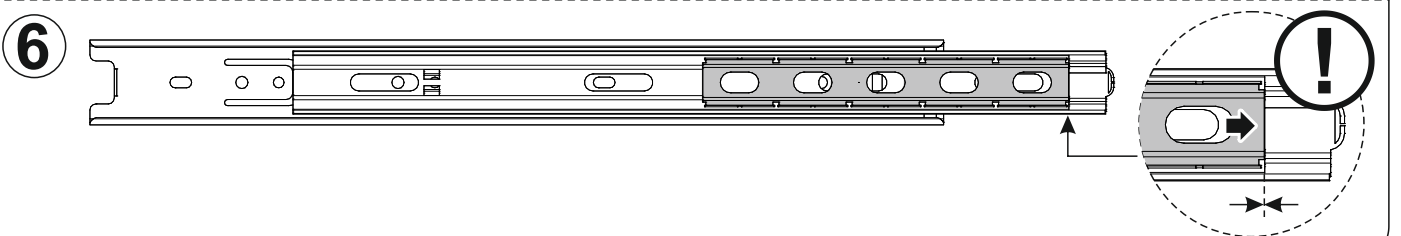
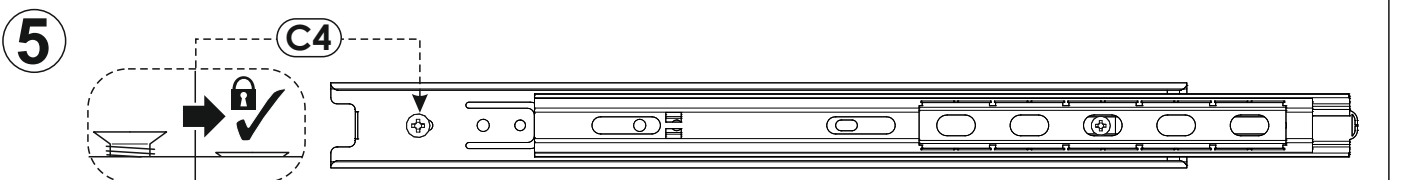
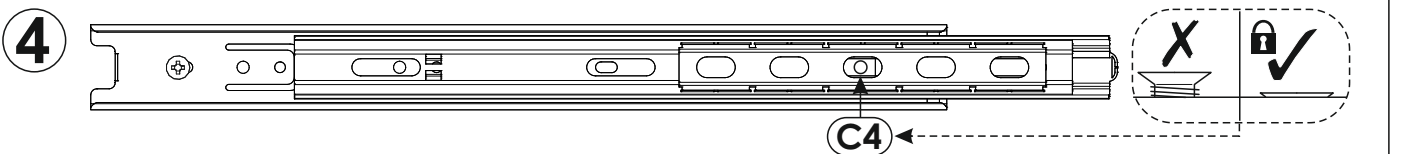
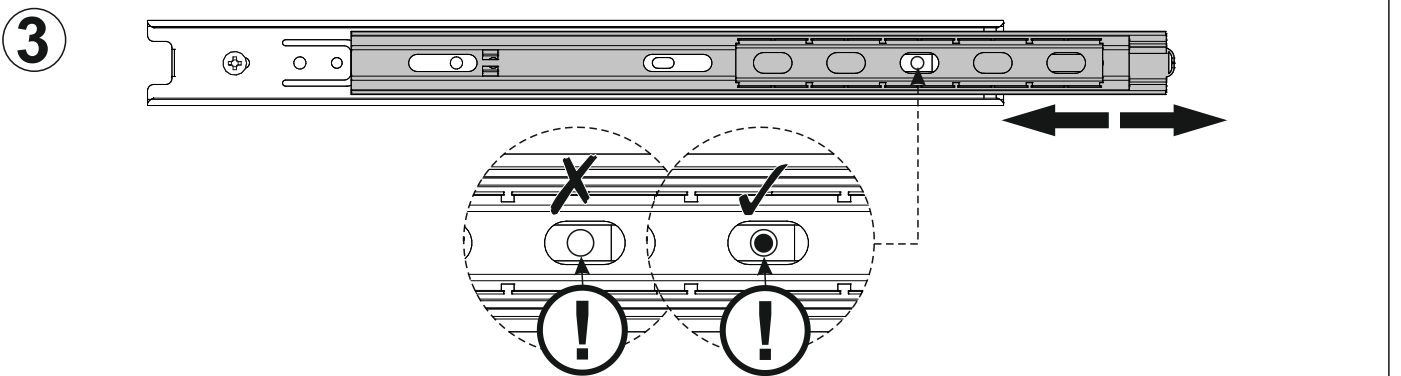
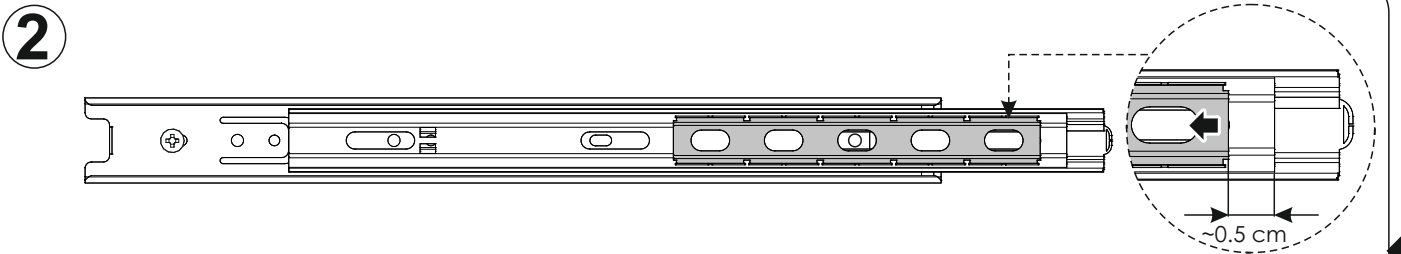
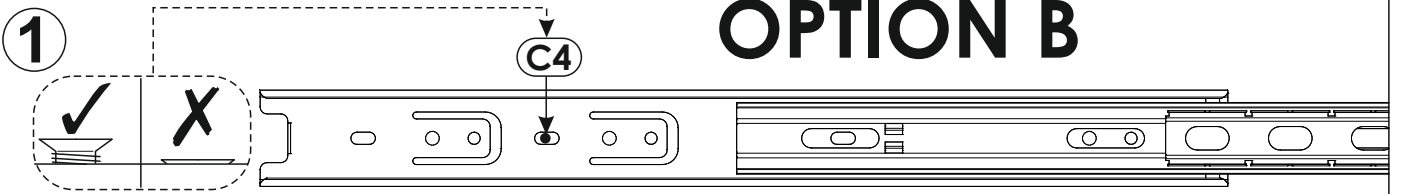
A1 8 x 35 mm x41 	BD H - 11 mm x8 	C4 5 x 20 mm x8 
E0 Ø16 x14 	E1 15 x 12 mm x18 	F1 6 x 34 mm x18 
G1 7 x 50 mm x8 	H1 L - 50 mm x2 	M x1 
N1 3 x 16 mm x15 	N4 3,5 x 13 mm x4 	N5 3,5 x 16 mm x12 
N7 3,5 x 30 mm x16 	O2 x2 	O12 x4 
PW L - 500 mm x4 	R1 x3 	R4 x8 
Z x1 		

RIKB01

OPTION A

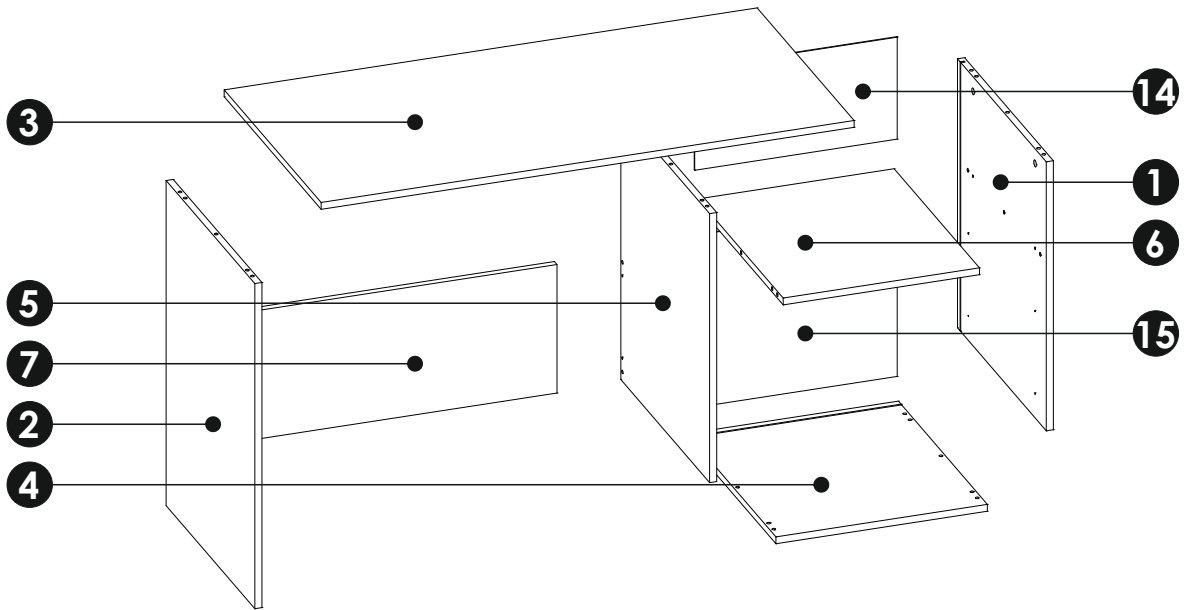
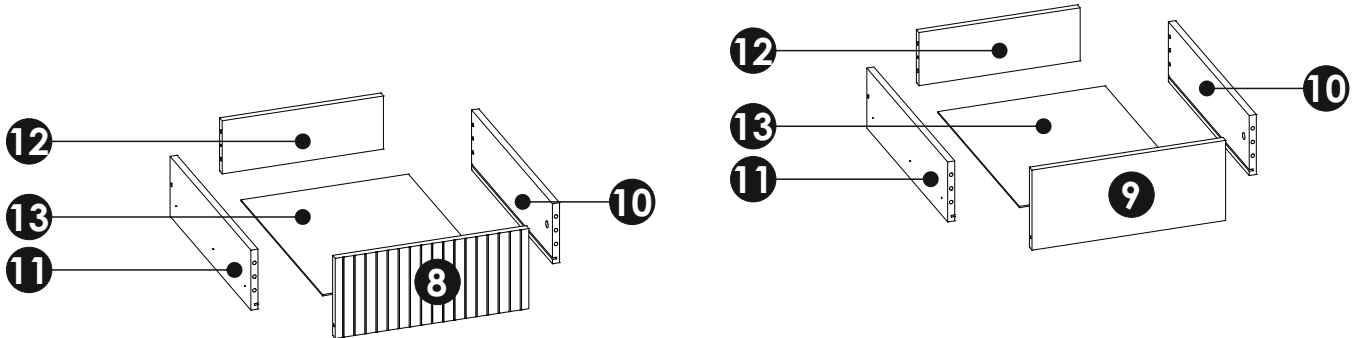
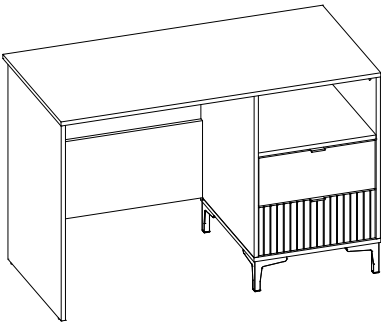


OPTION B



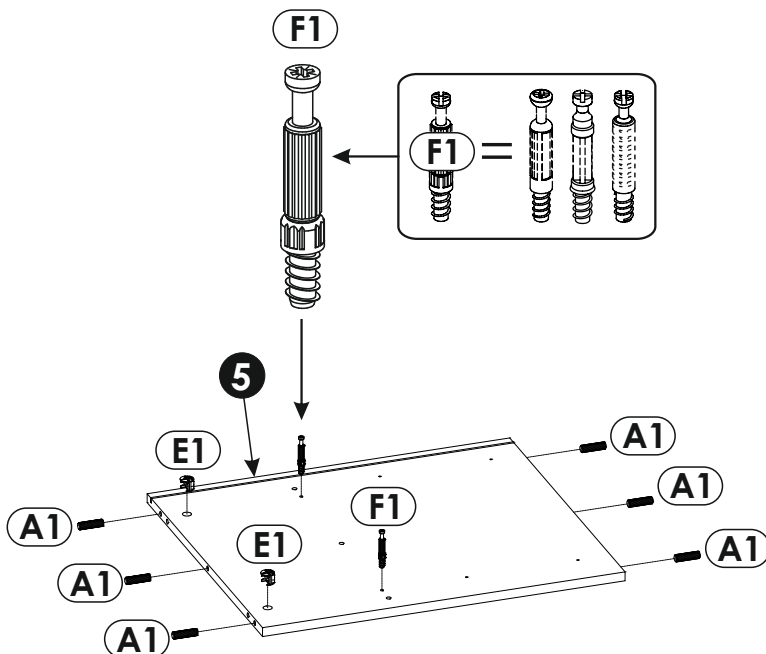
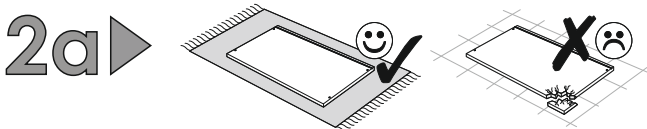
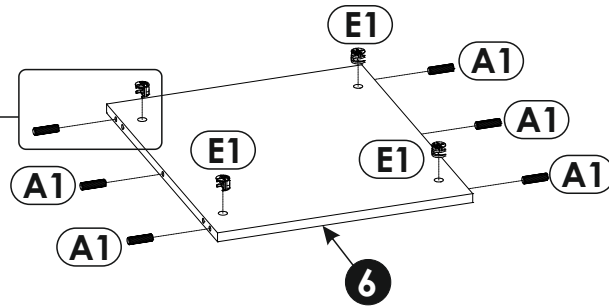
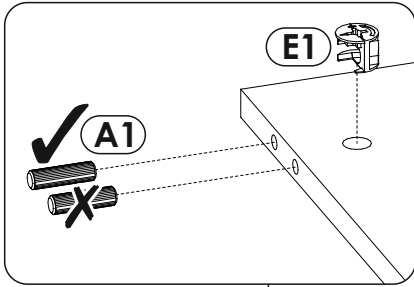
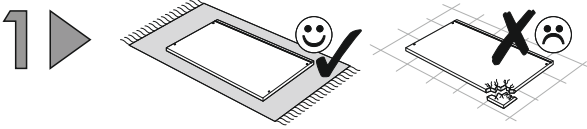
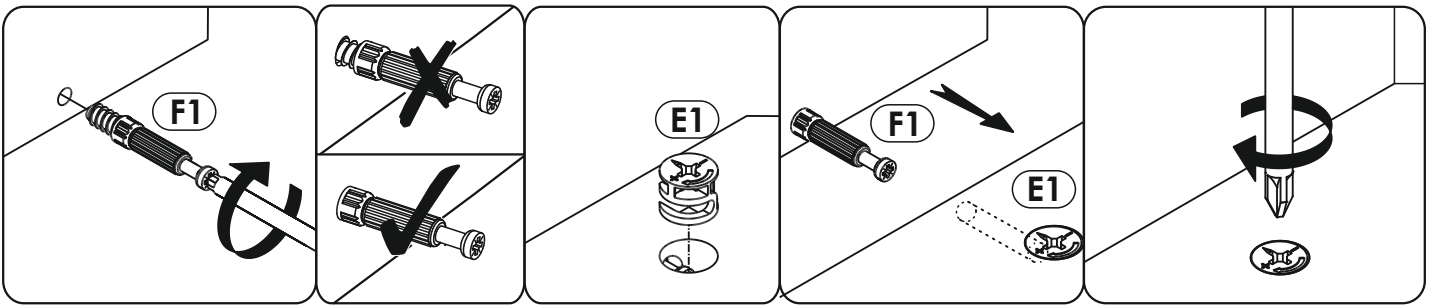
FRONT

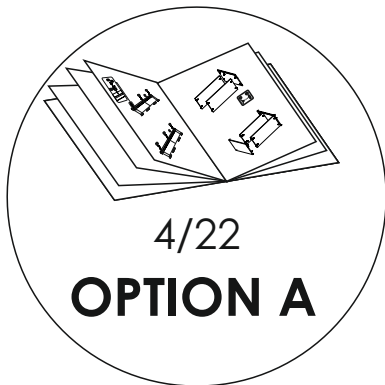
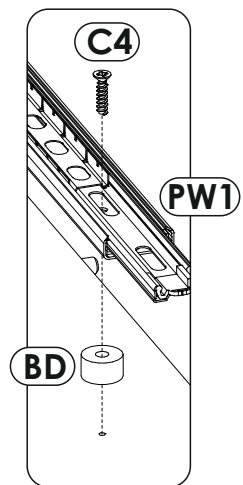
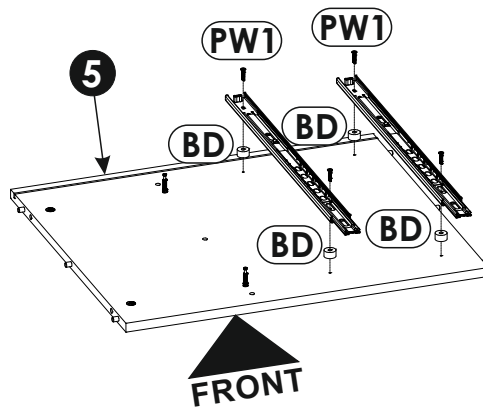
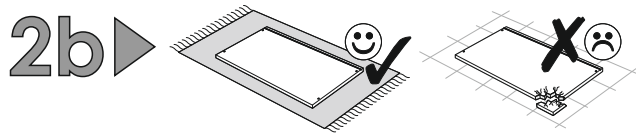
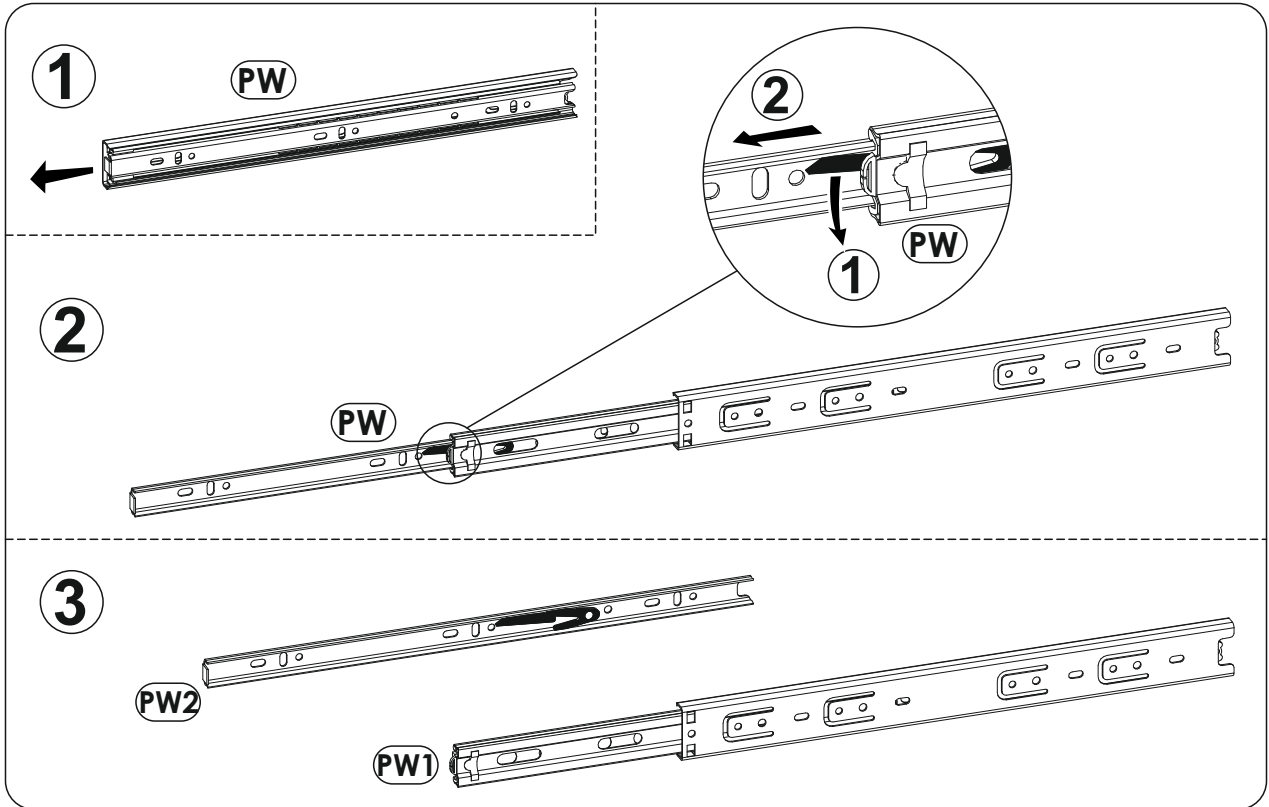
RIKB01

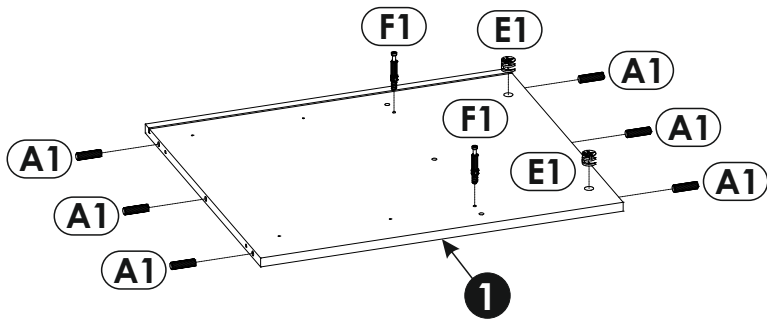
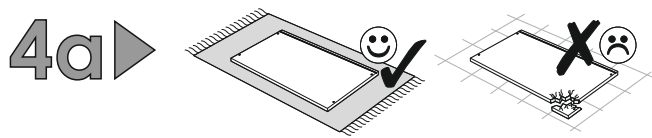
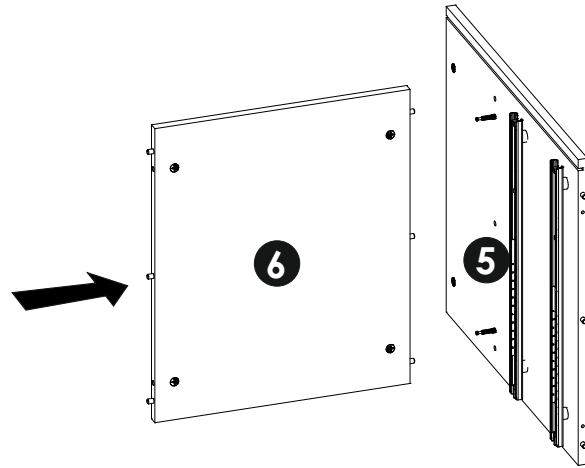
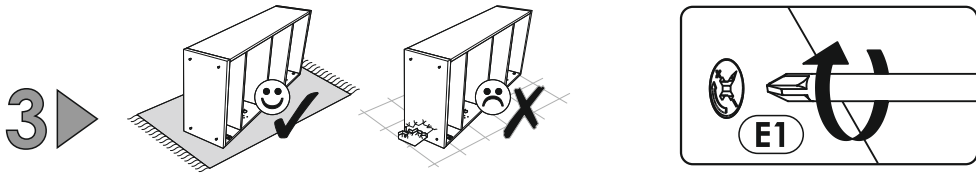


1	628	549	16	x1	2/2
2	759	549	16	x1	1/2
3	1200	600	16	x1	2/2
4	476	550	16	x1	1/2
5	628	549	16	x1	1/2
6	442	528	16	x1	2/2
7	708	300	16	x1	1/2
8	187	436	16	x1	1/2

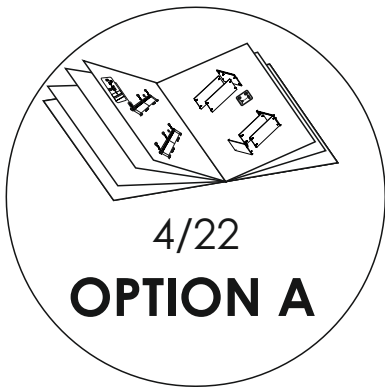
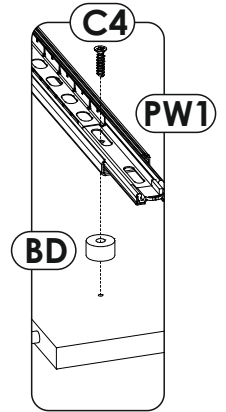
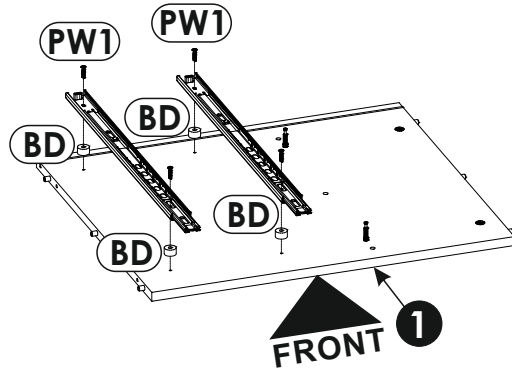
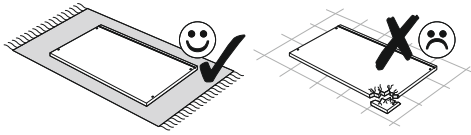
9	436	187	16	x1	1/2
10	500	140	16	x2	1/2
11	500	140	16	x2	1/2
12	363	124	16	x2	1/2
13	377	505	3	x2	1/2
14	238	456	3	x1	1/2
15	402	456	3	x1	1/2



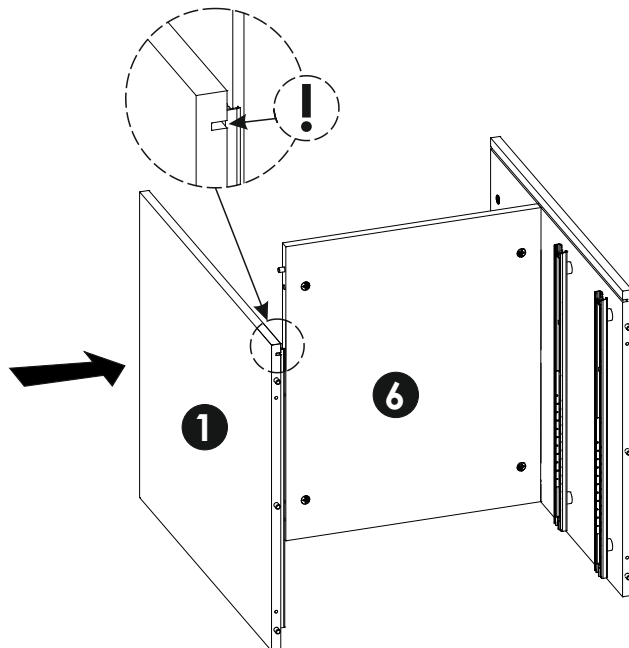
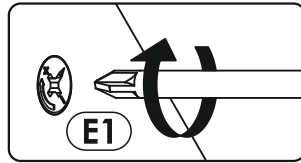
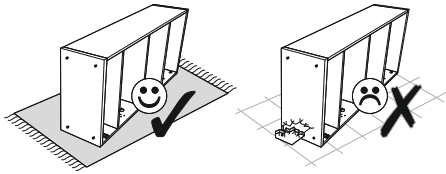


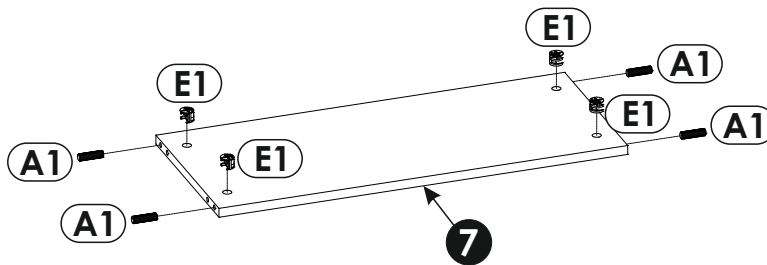
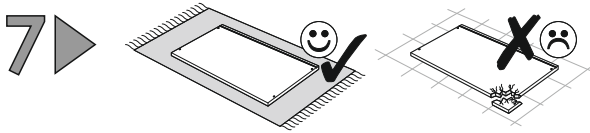
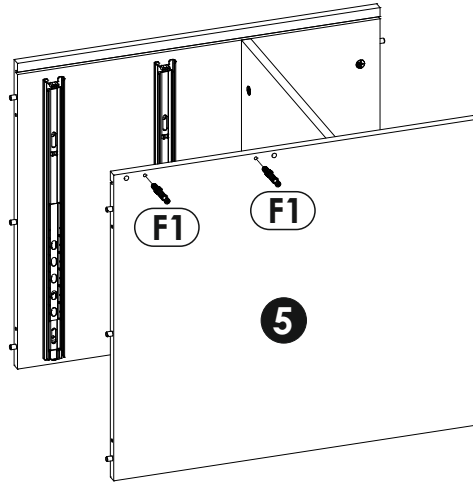
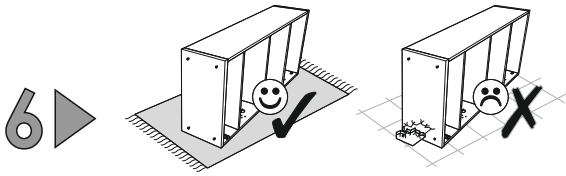


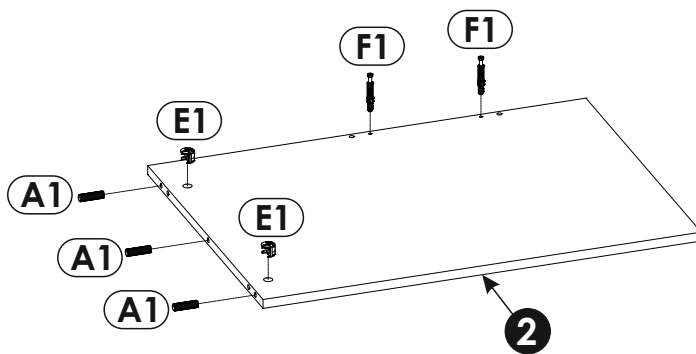
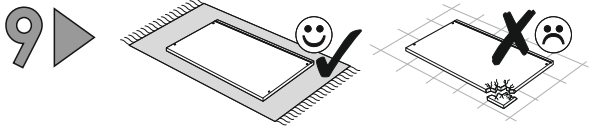
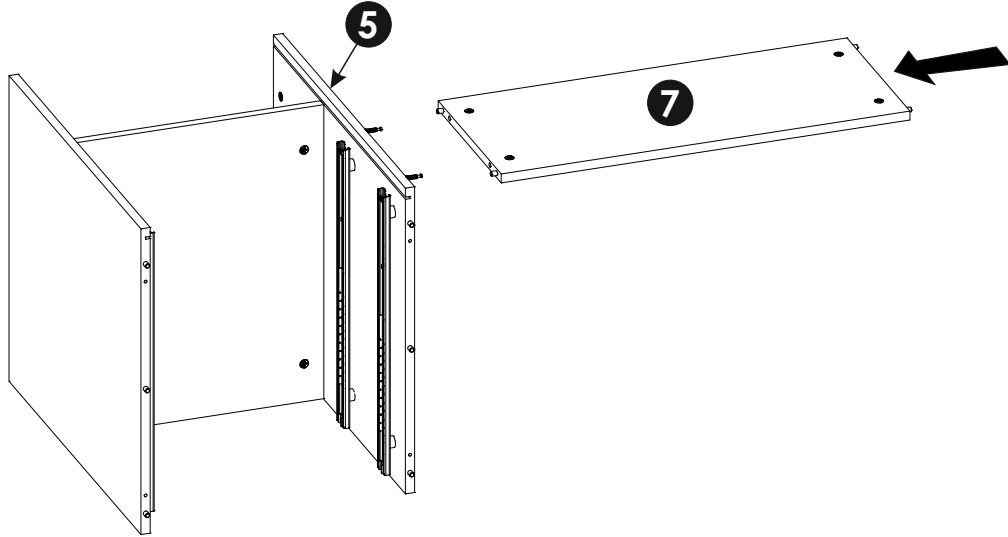
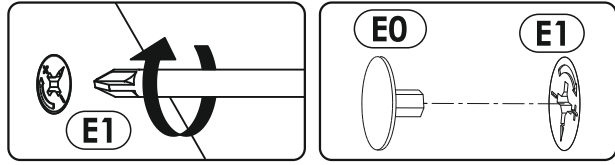
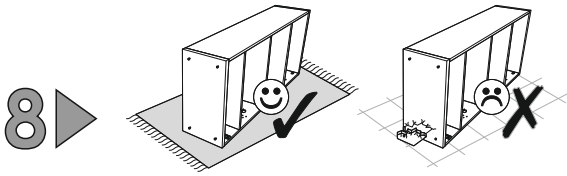
4b ▶

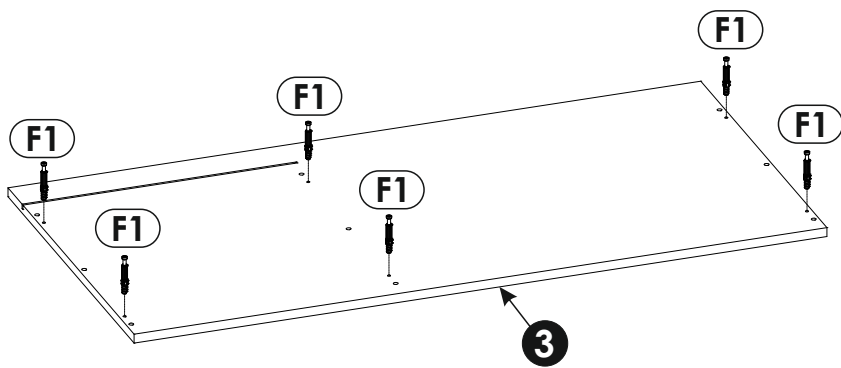
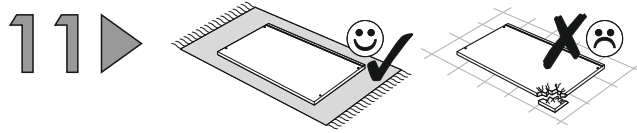
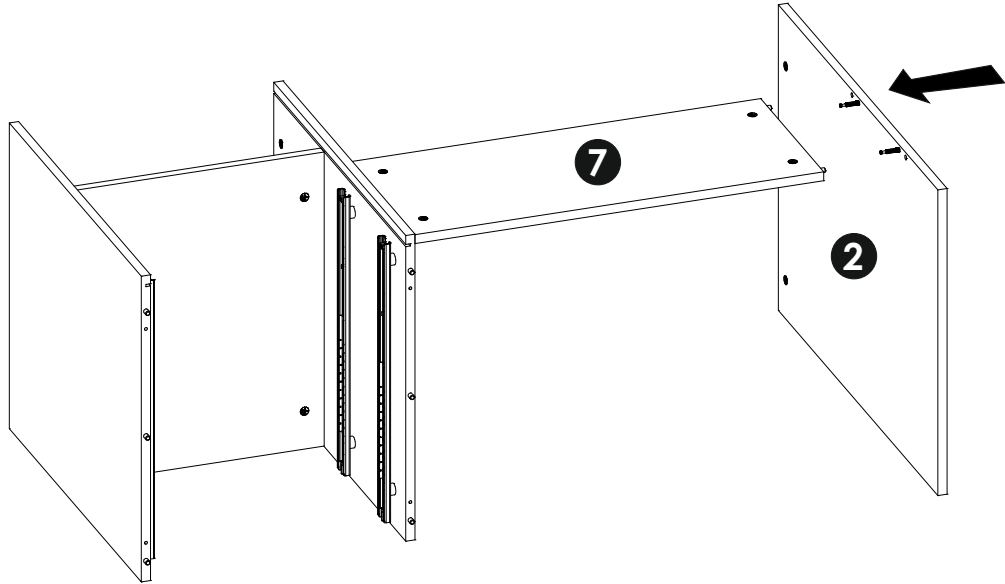
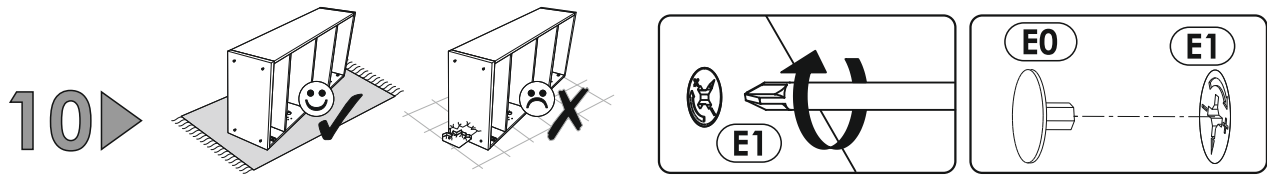


5 ▶

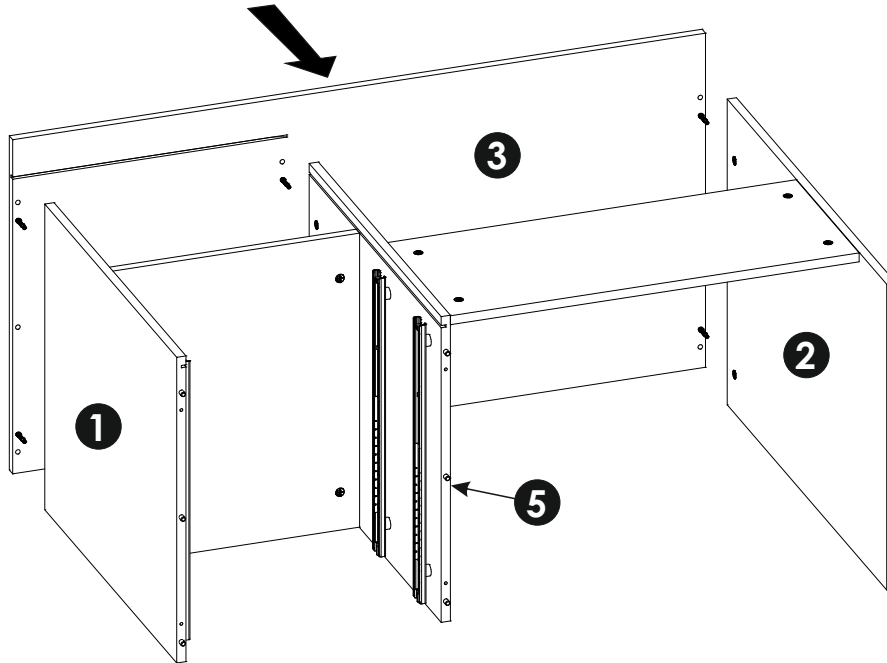
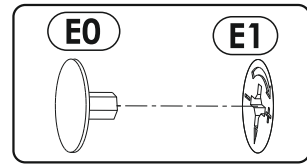
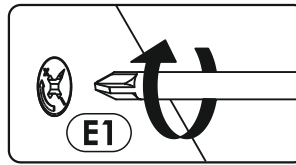
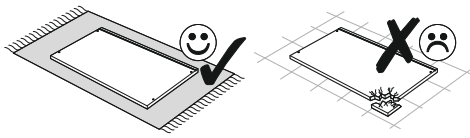




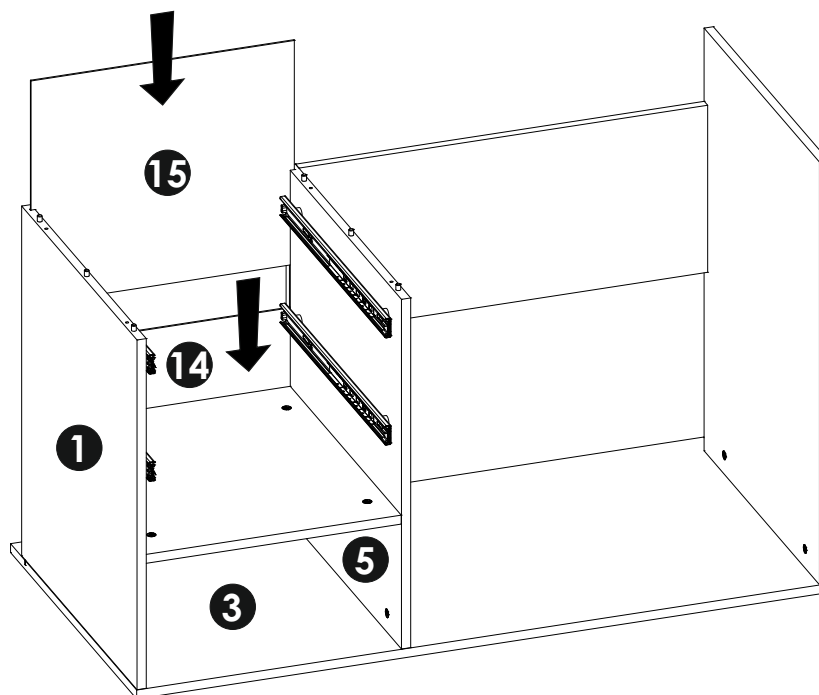
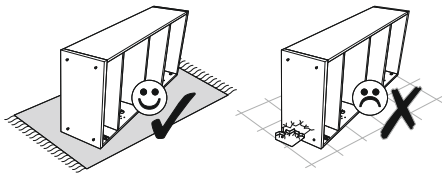




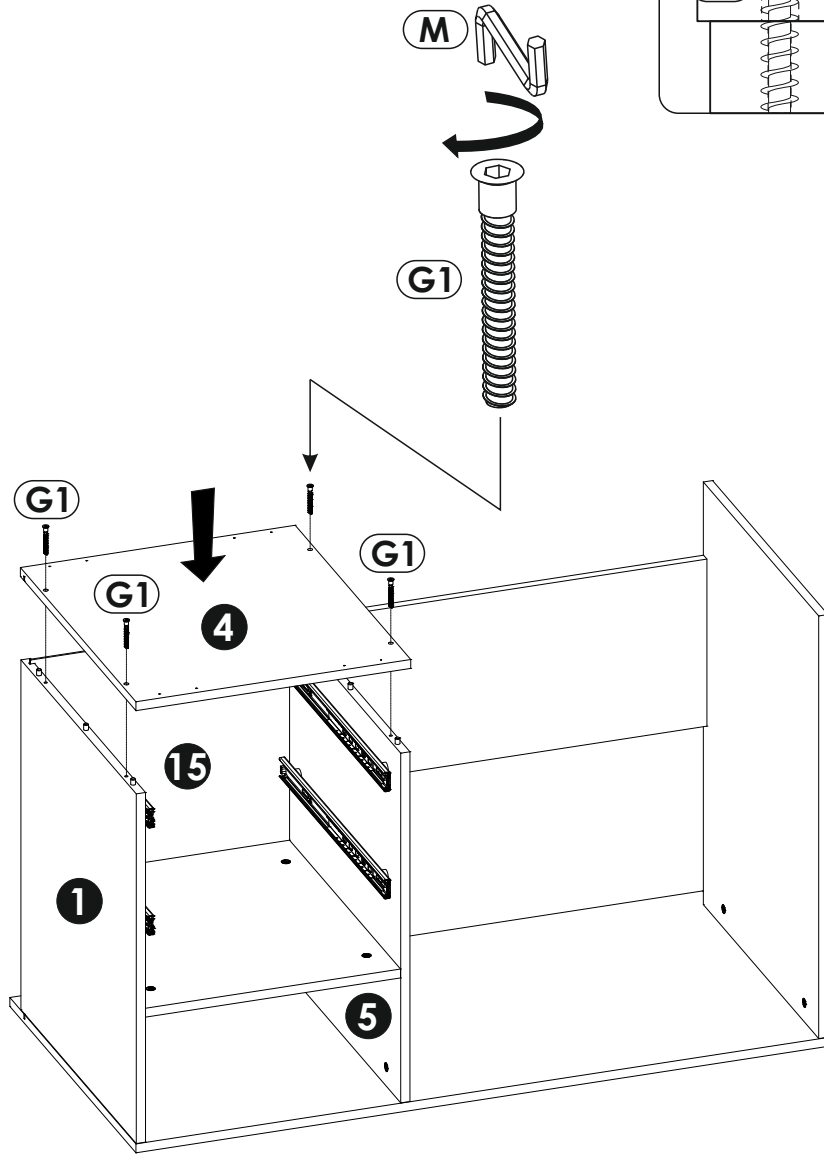
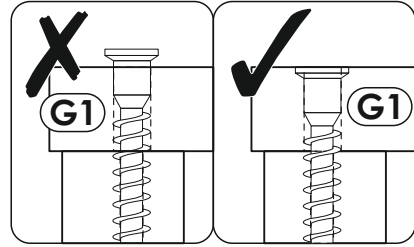
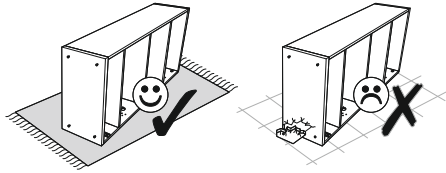
12▶



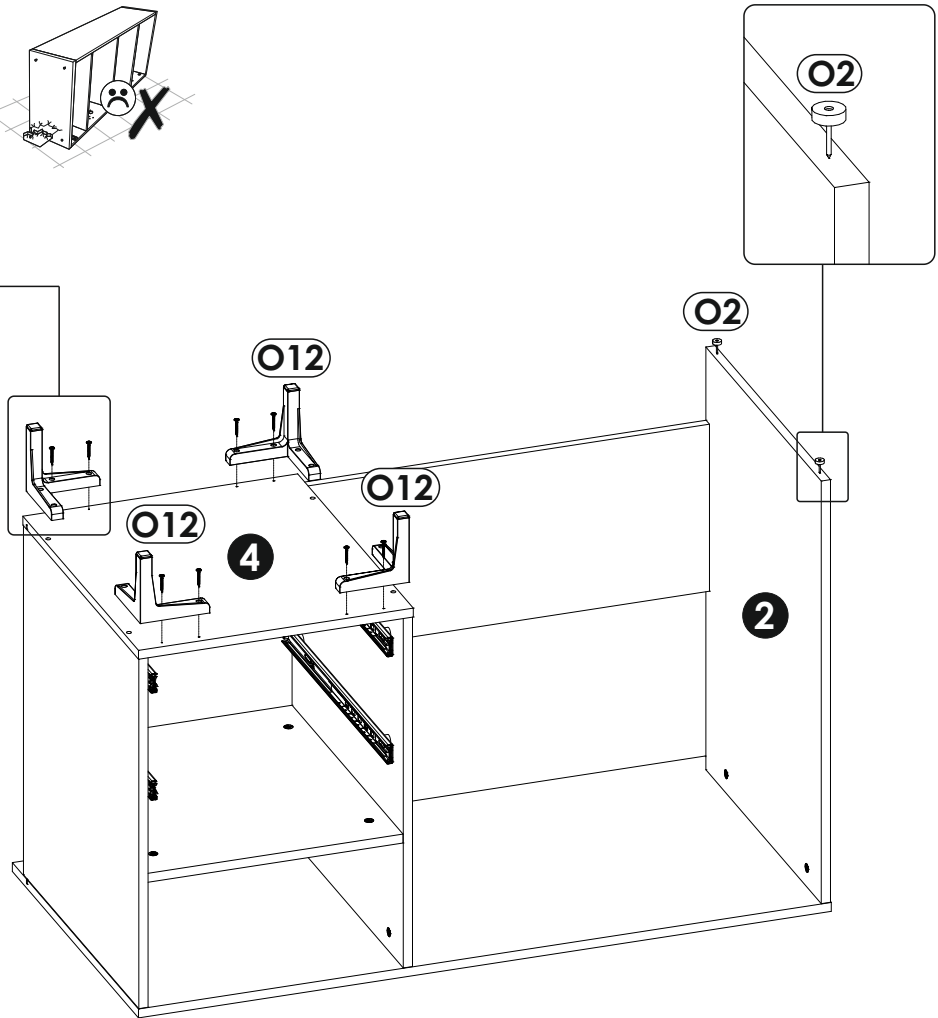
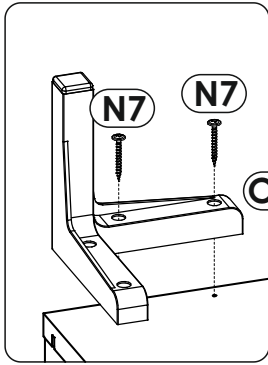
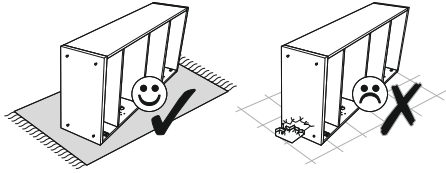
13▶



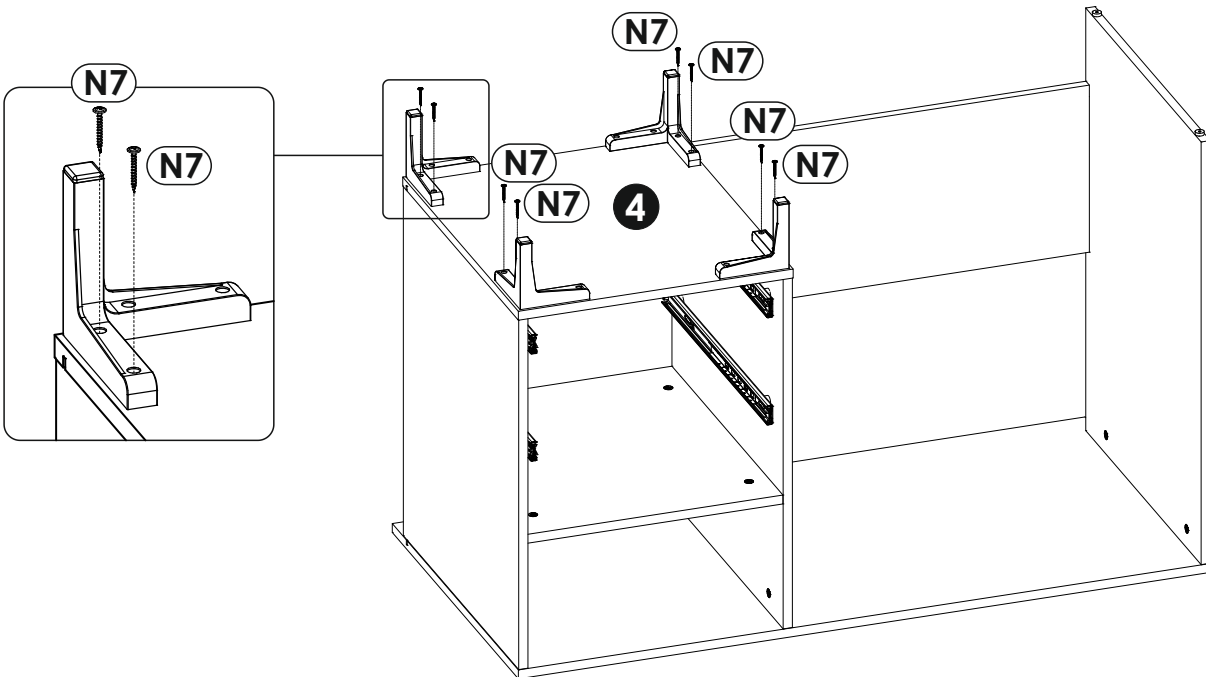
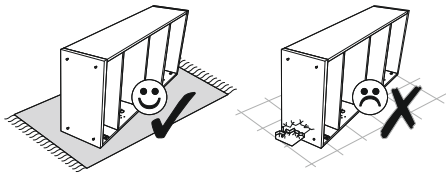
14▶▶



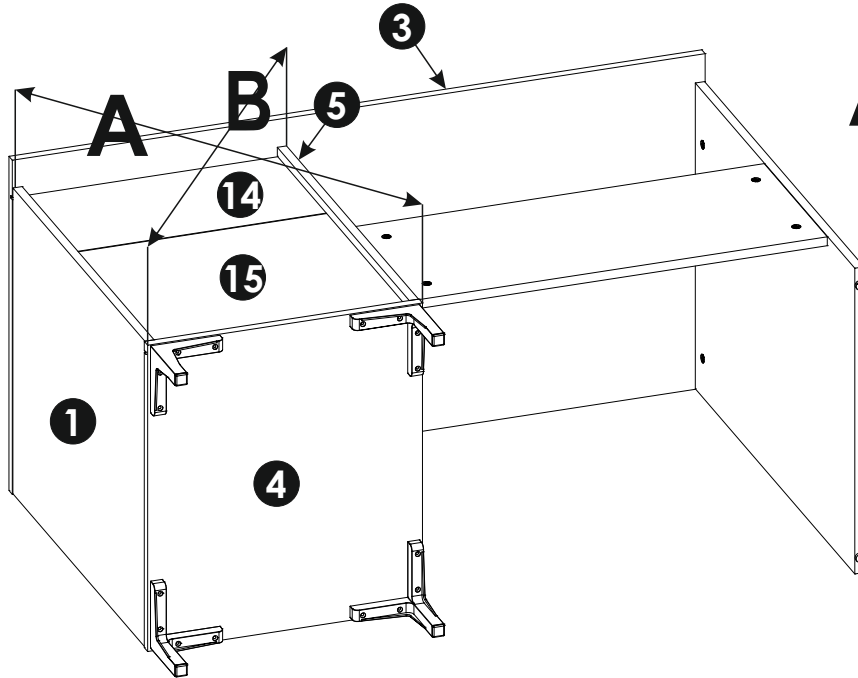
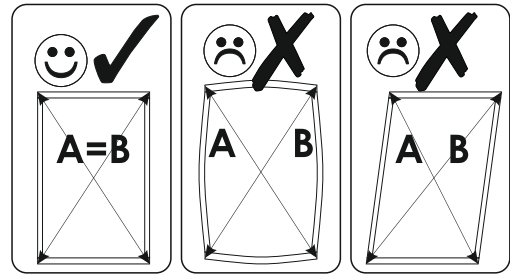
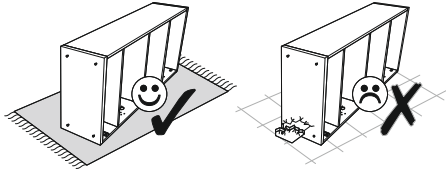
15 ▶



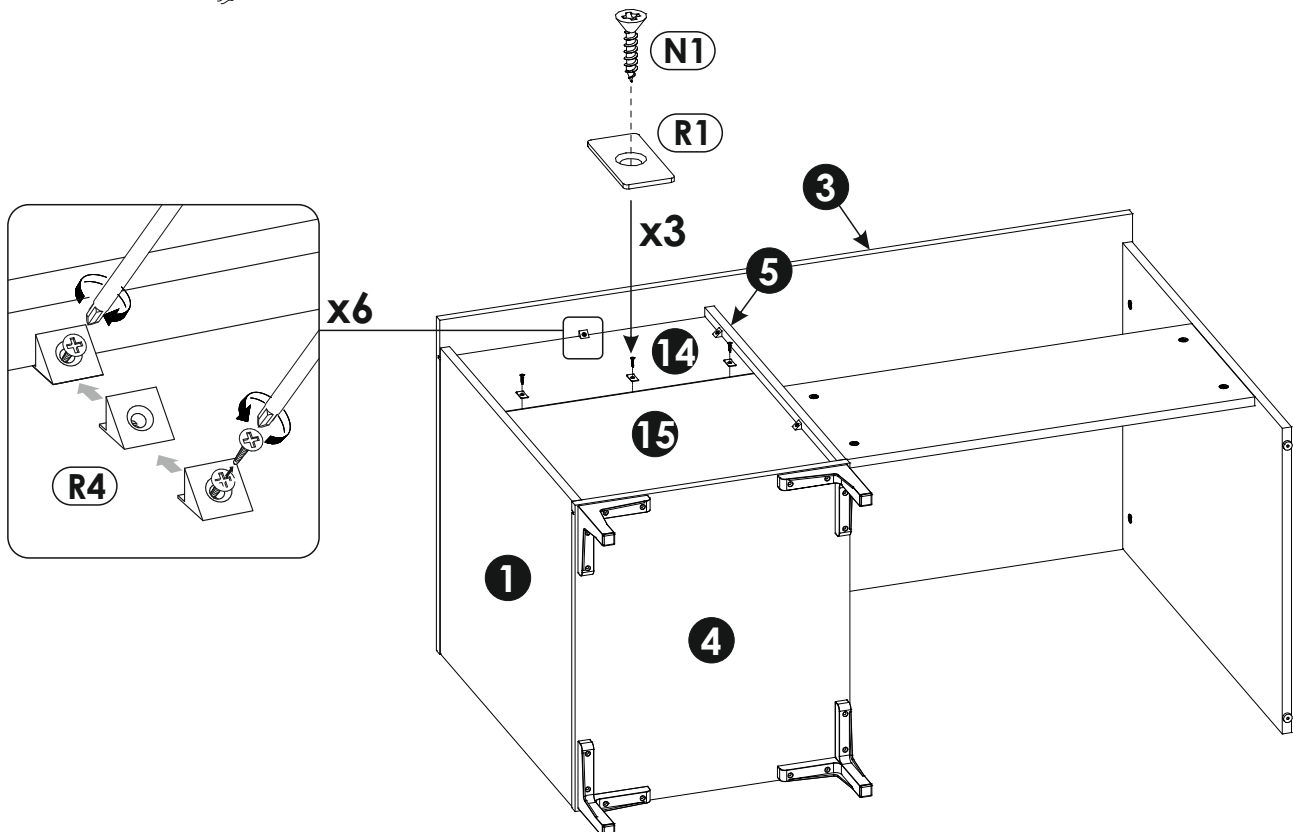
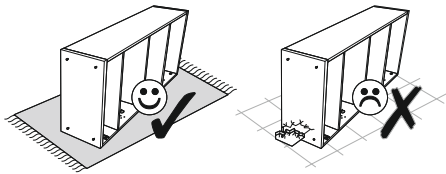
16 ▶

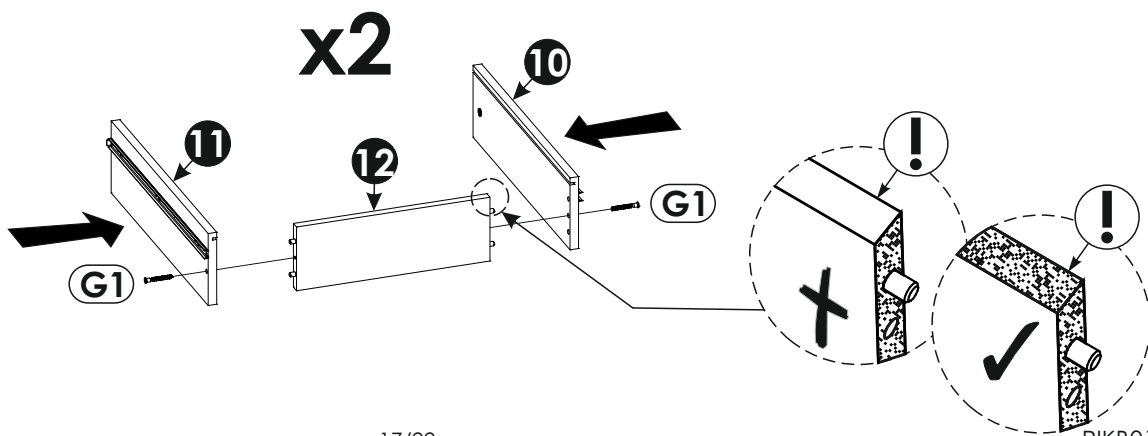
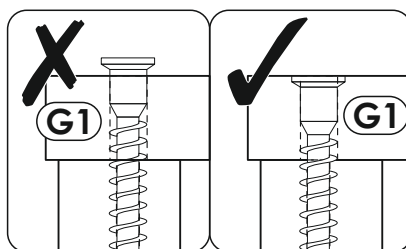
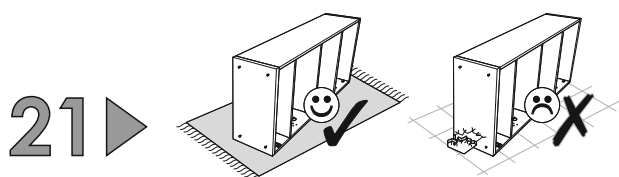
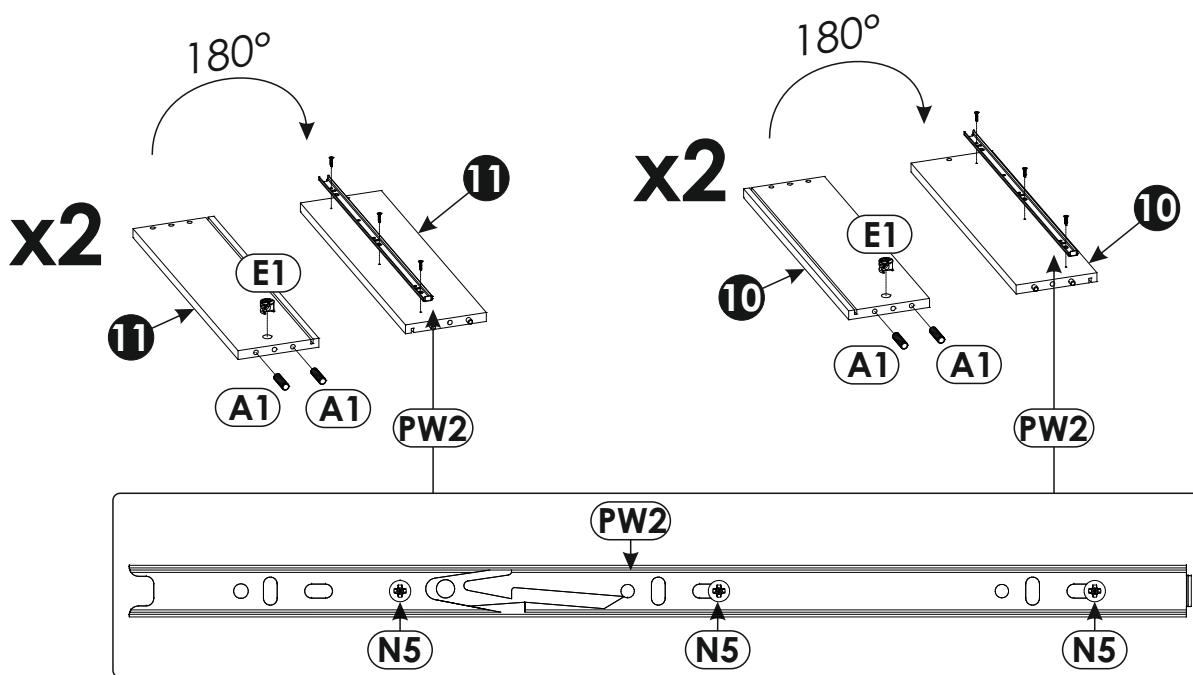
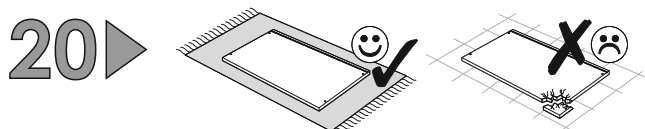
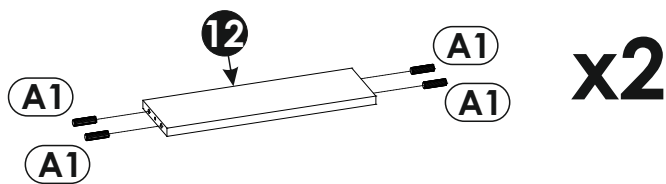
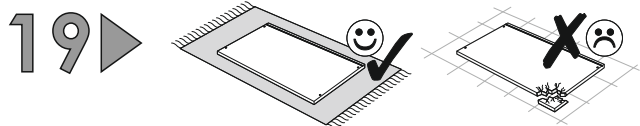


17 ▶

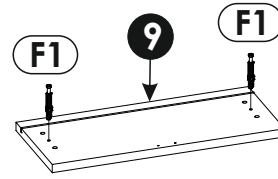
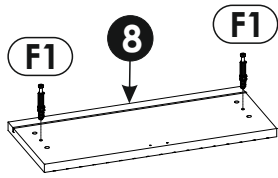
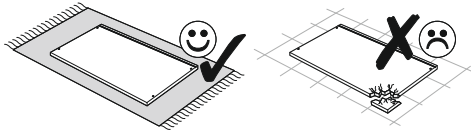


18 ▶

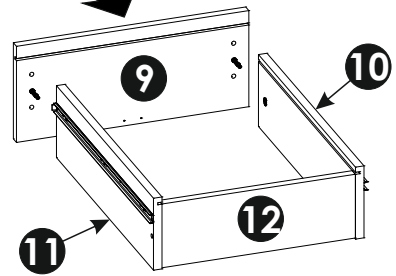
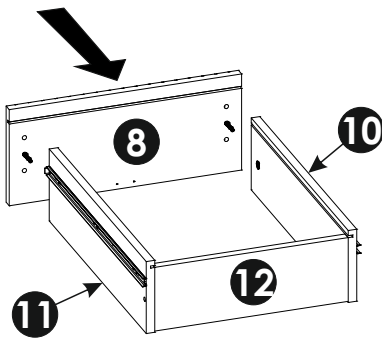
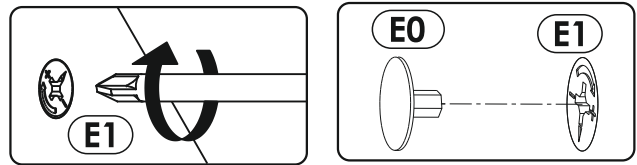
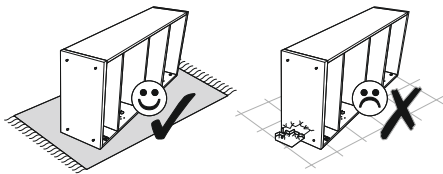




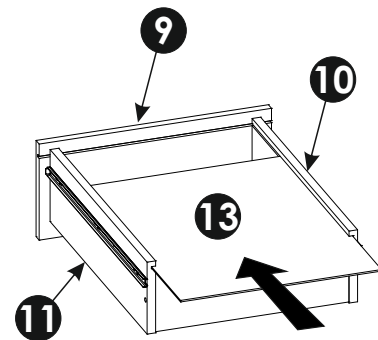
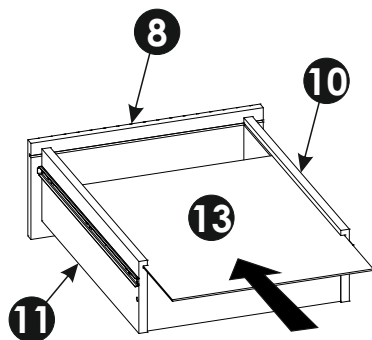
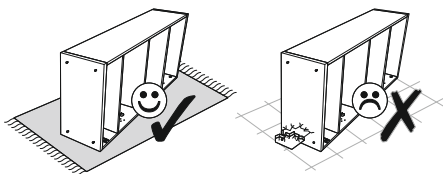
22 ▶



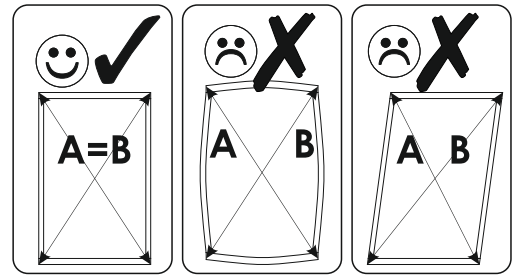
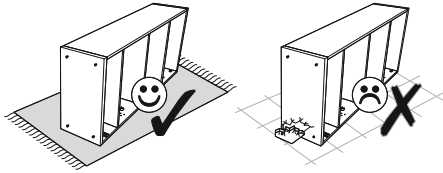
23 ▶



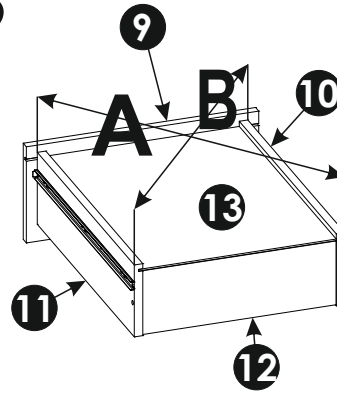
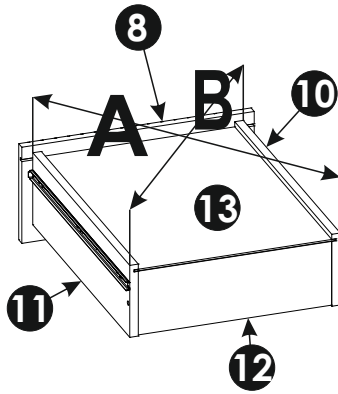
24 ▶



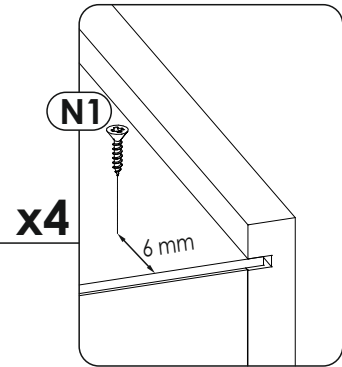
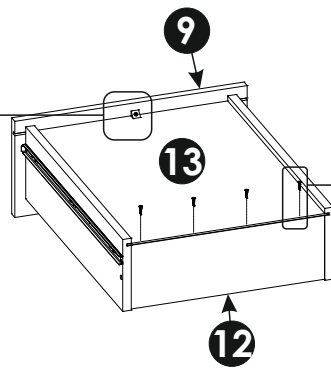
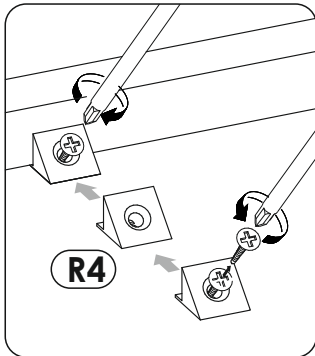
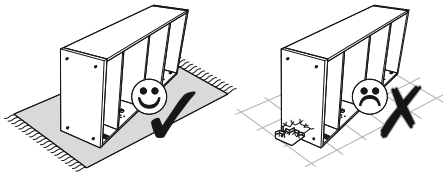
25 ▶



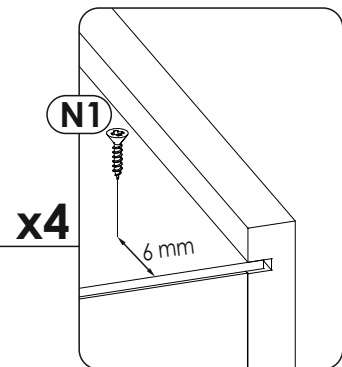
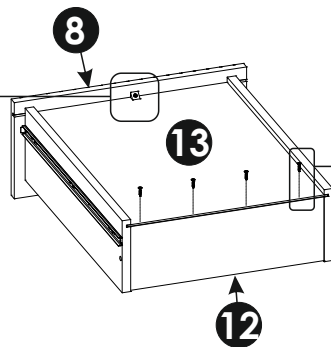
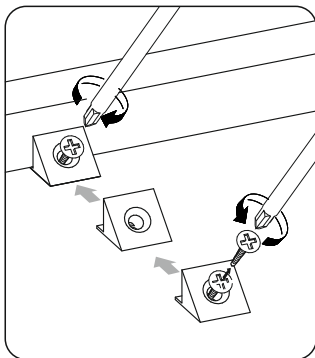
A=B



26 ▶

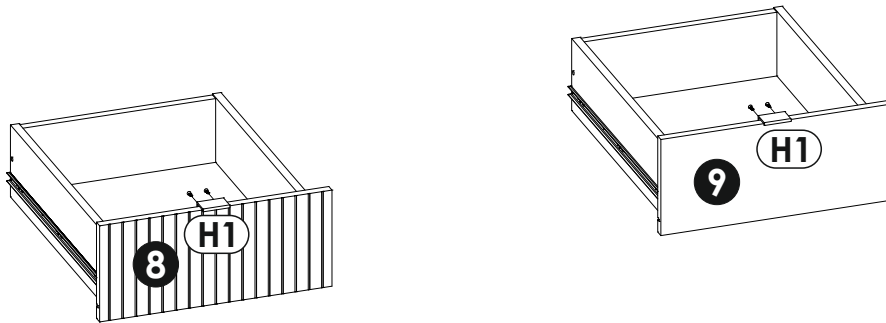
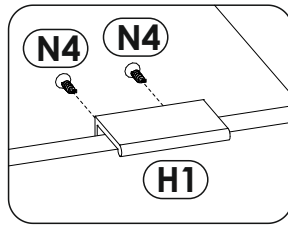


x4

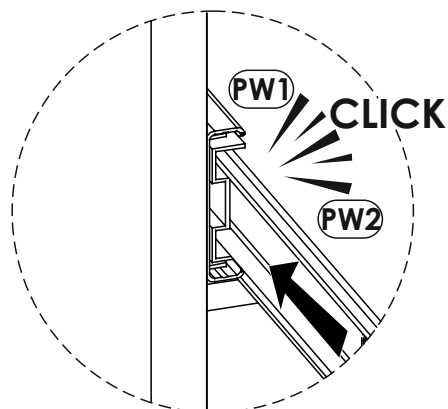
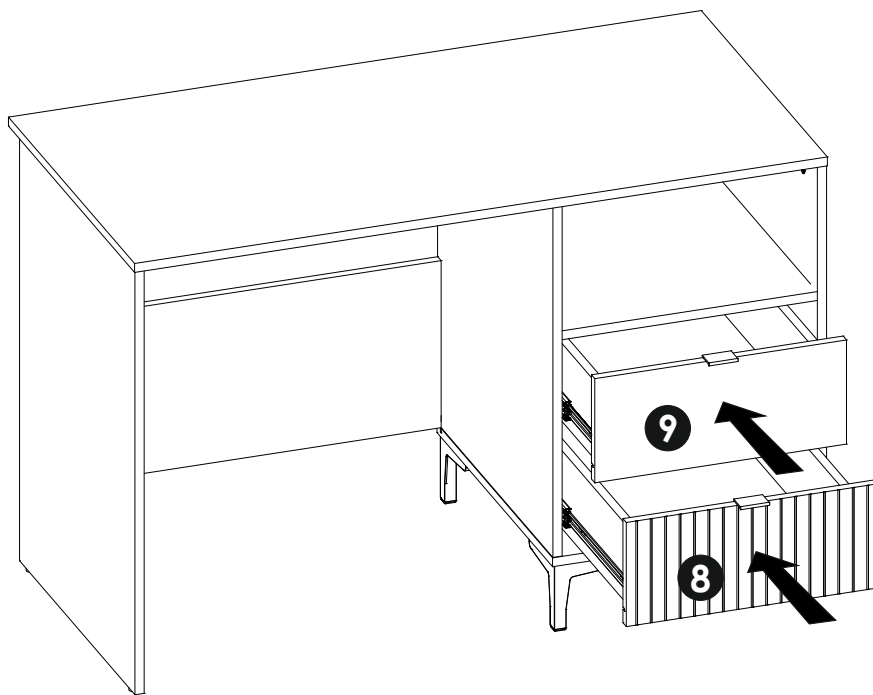


x4

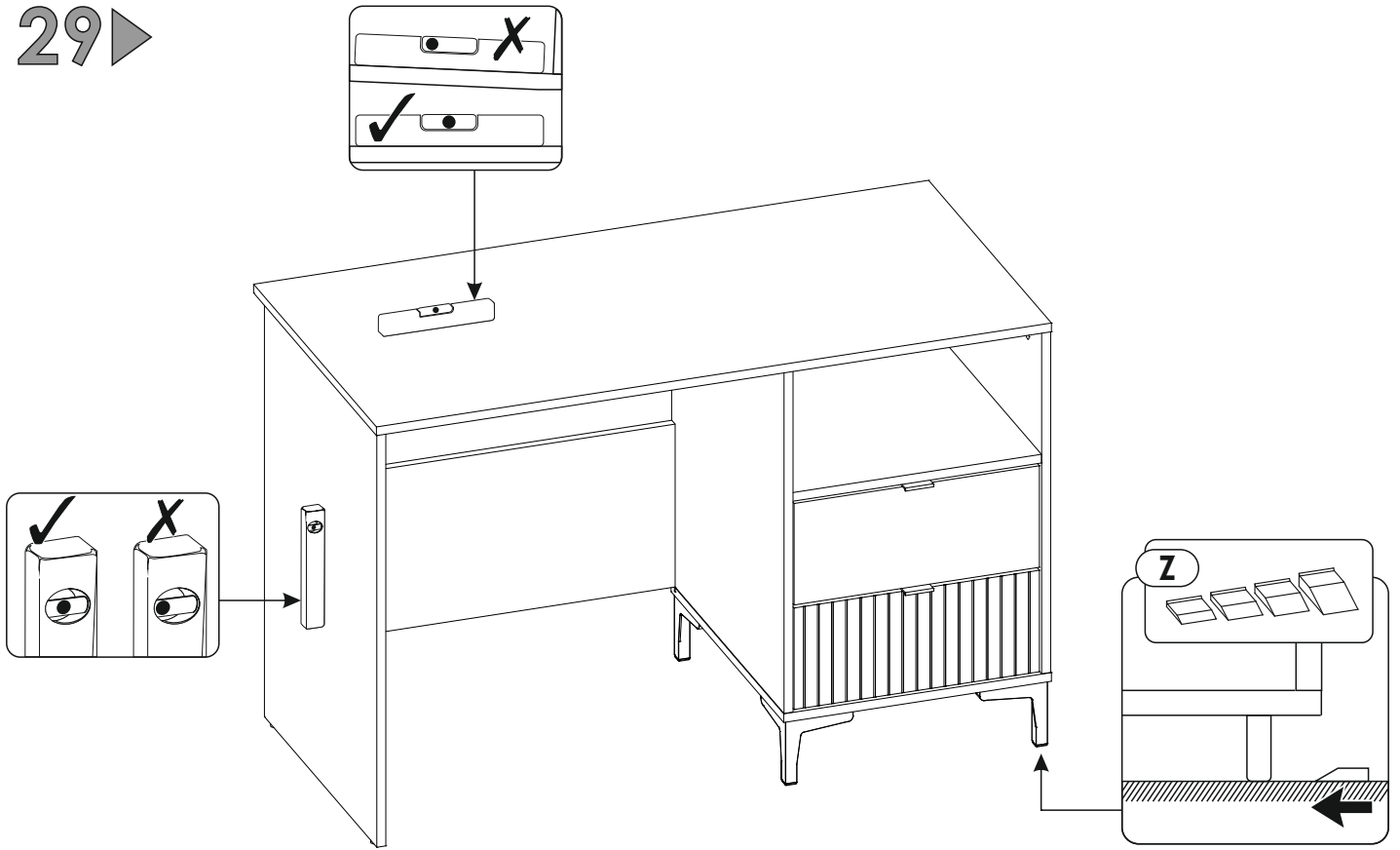
27▶



28▶



29 ▶



30 ▶

